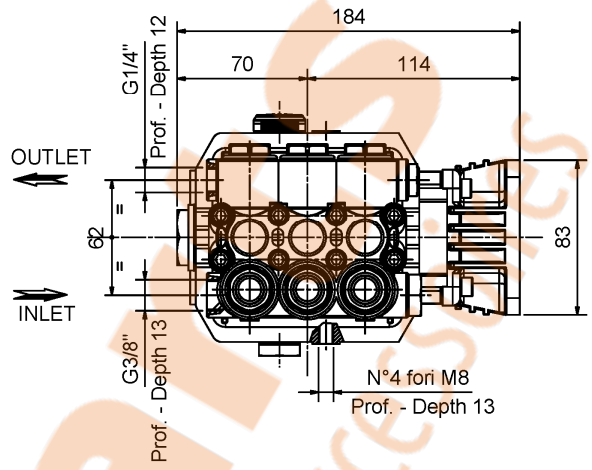
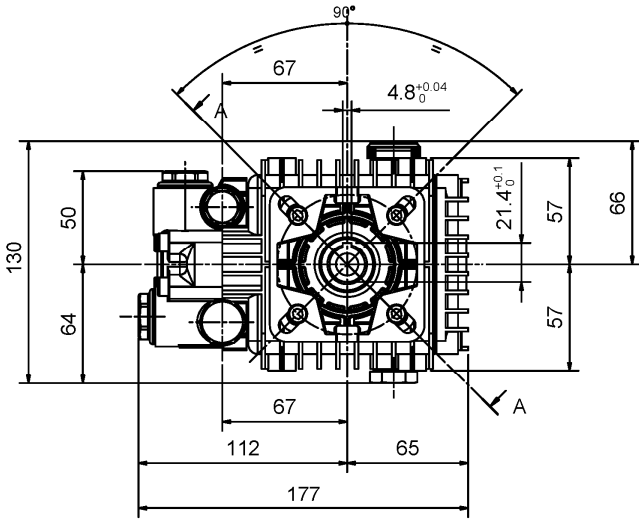
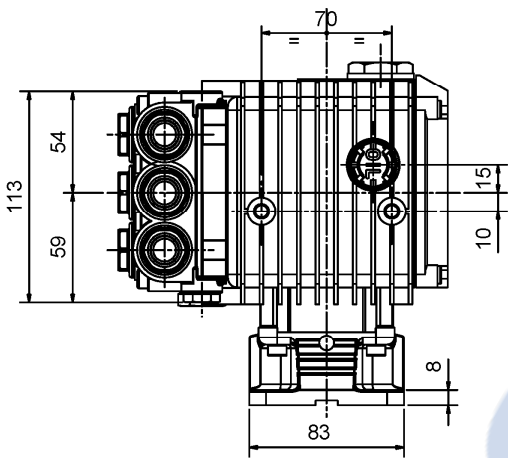


**DIMENSIONI D'INGOMBRO – OVERALL DIMENSIONS – DIMENSIONS D'ENCOMBREMMENT  
RAUMBEDARF – DIMENSIONES TOTALES – DIMENSÕES**

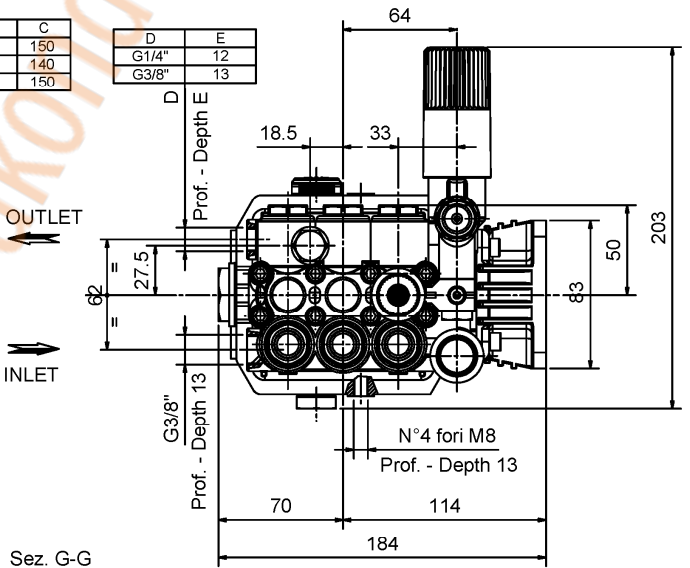
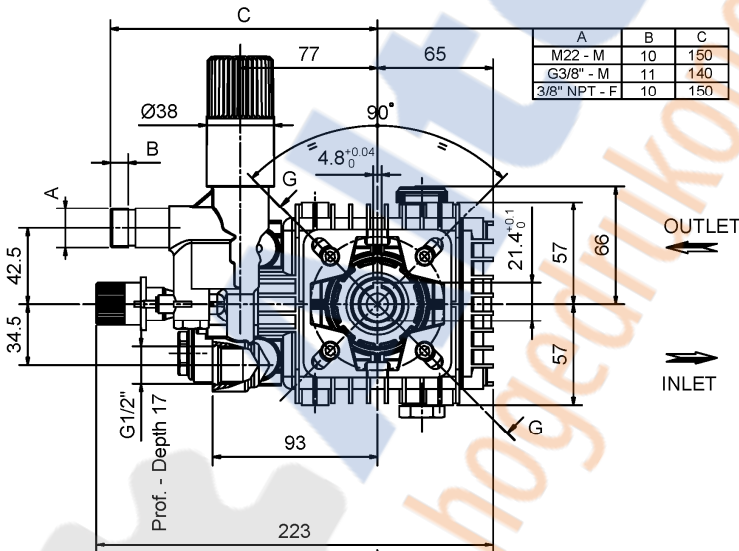


Sez. A-A

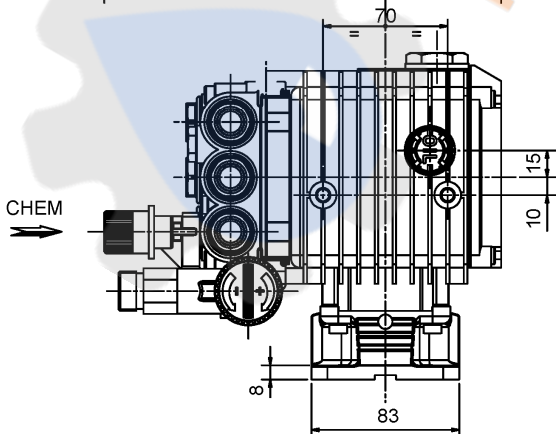
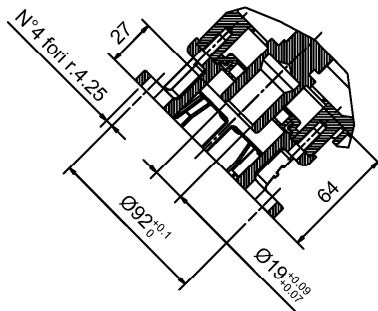


WW906 – TT9061  
TT1508  
TT1510  
WW907 – TT9071  
TT1511  
TT1512  
WW909 – TT9091  
TT1513

COD. DIS. 51.2148.00



Sez. G-G



COD. DIS. 51.2155.00

VH VALVE